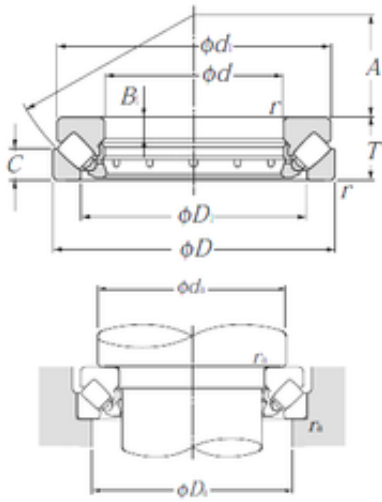




VNF Driveshaft CORP.

29376 NTN Thrust Spherical Roller Bearing

Bearing No. 29376



29376 Bearing 2D drawings and 3D CAD models

Size	380x600x132 mm
Bore Diameter	380 mm
Outer Diameter	600 mm
Width	132 mm
d	380 mm
D	600 mm
T	132 mm
B1	44 mm
C	63 mm
d1	580 mm
r min.	6 mm
A	216 mm
D1	477 mm
da min.	480 mm
Da max.	525 mm
ra max.	5 mm
Weight	143 Kg
Basic dynamic load rating (C)	3 200 kN
Basic static load rating (C0)	13 300 kN